



YSF915S303



1. SCOPE

This specification shall cover the characteristics of 1-port SAW filter with YSF915S303 used for remote-control security.

2. ELECTRICAL SPECIFICATION

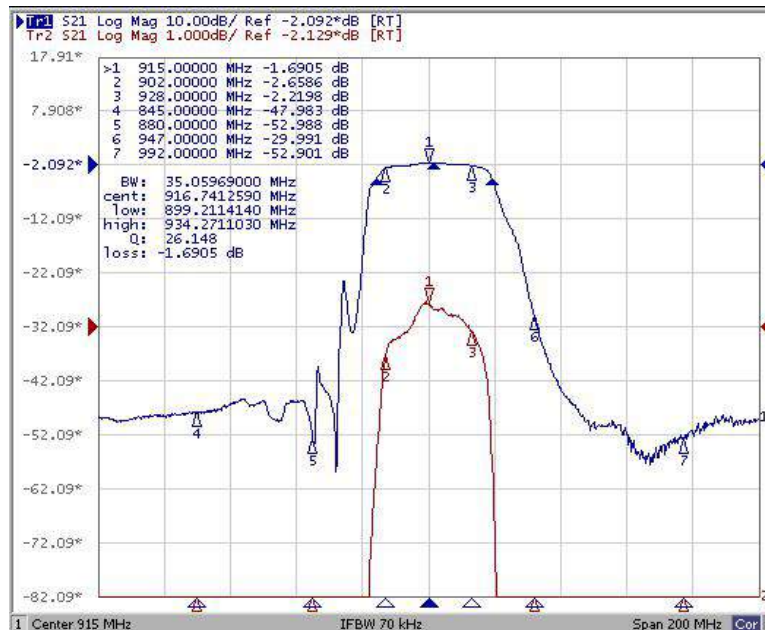
2.1 Maximum Rating

Operation Temperature Range	-40°C to +85°C
Storage Temperature Range	-40°C to +85°C
DC. Permissive Voltage	5V DC. max.
Maximum Input Power	15dBm

2.2 Electronic Characteristics

	Unit	Minimum	Typical	Maximum
Center Frequency	MHz	-	915	-
Insertion Loss (902~928MHz)	dB		2.5	3.5
Amplitude Ripple (902~928MHz)	dB		0.9	1.8
Relative Attenuation				
10.0 ~ 800.0 MHz		45	55	
800.0~845.0MHz		40	50	
845.0 MHz ~ 880.0 MHz	dB	33	43	-
947.0 MHz ~ 992.0 MHz		25	35	
992.0 MHz ~ 1020.0 MHz		35	45	
1020.0 MHz ~ 1200.0 MHz		45	50	
Input/Output Impedance	Ohms		50	

3.4 Frequency Characteristics

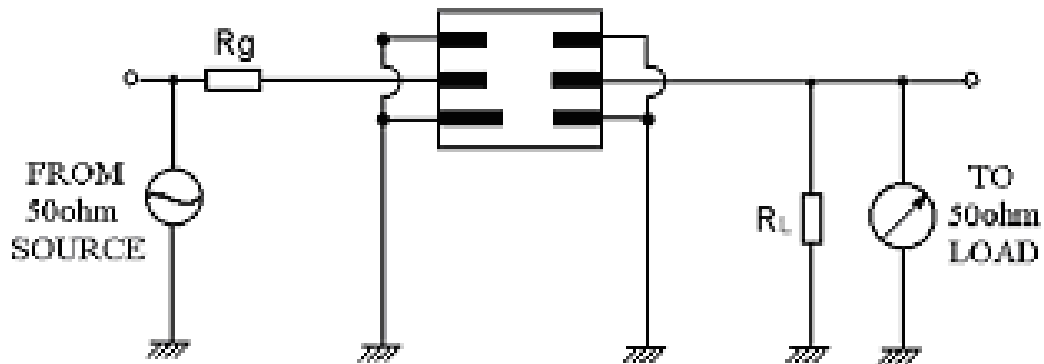




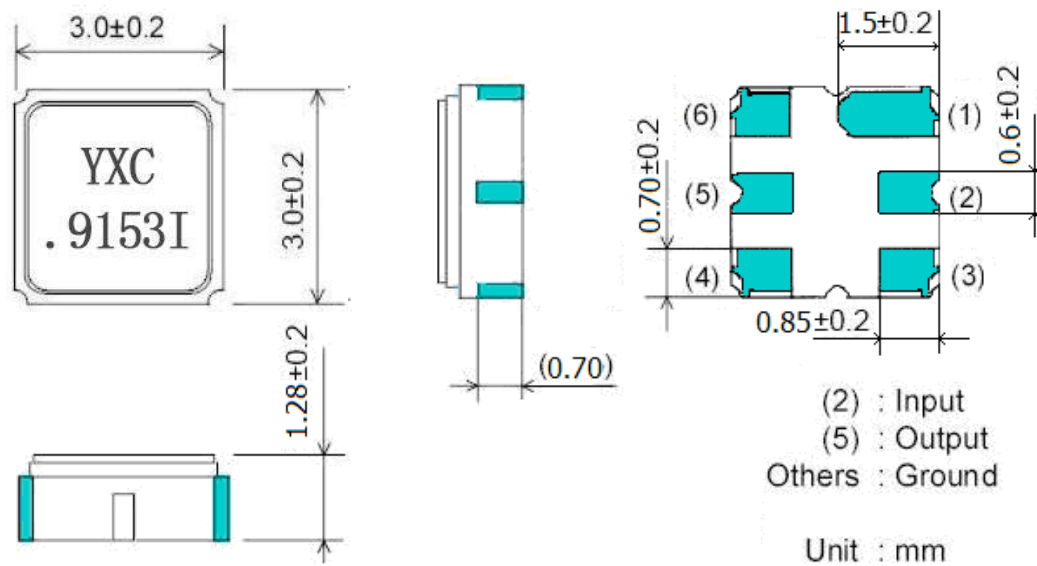
YSF915S303



3. TEST CIRCUIT



4. DIMENSION





YSF915S303



4. ENVIRONMENTAL CHARACTERISTICS

4-1 Temperature cycling

Subject the device to a low temperature of -40°C for 30 minutes. Following by a high temperature of $+25^{\circ}\text{C}$ for 5 Minutes and a higher temperature of $+85^{\circ}\text{C}$ for 30 Minutes. Then release the device into the room conditions for 1 to 2 hours prior to the measurement. It shall meet the specifications in 3.3.

4-2 Resistance to solder heat

Submerge the device terminals into the solder bath at $260^{\circ}\text{C} \pm 5^{\circ}\text{C}$ for 10 ± 1 sec. Then release the device into the room conditions for 4 hours. It shall meet the specifications in 3.3.

4-3 Solderability

Submerge the device terminals into the solder bath at $245^{\circ}\text{C} \pm 5^{\circ}\text{C}$ for 5s, More than 95% area of the soldering pad must be covered with new solder. It shall meet the specifications in 3.3.

4-4 Mechanical shock

Drop the device randomly onto the concrete floor from the height of 1 m 3 times. the filter shall fulfill the specifications in 3.3.

4-5 Vibration

Subject the device to the vibration for 2 hour each in x,y and z axes with the amplitude of 1.5 mm at 10 to 55 hz. The filter shall fulfill the specifications in 3.3.

5. REMARK

5.1 Static voltage

Static voltage between signal load & ground may cause deterioration & destruction of the component. Please avoid static voltage.

5.2 Ultrasonic cleaning

Ultrasonic vibration may cause deterioration & destruction of the component. Please avoid ultrasonic cleaning

5.3 Soldering

Only leads of component may be soldered. Please avoid soldering another part of component.

6. Packing

6.1 Dimensions

- (1) Carrier Tape: Figure 1
- (2) Reel: Figure 2
- (3) The product shall be packed properly not to be damaged during transportation and storage.



YSF915S303

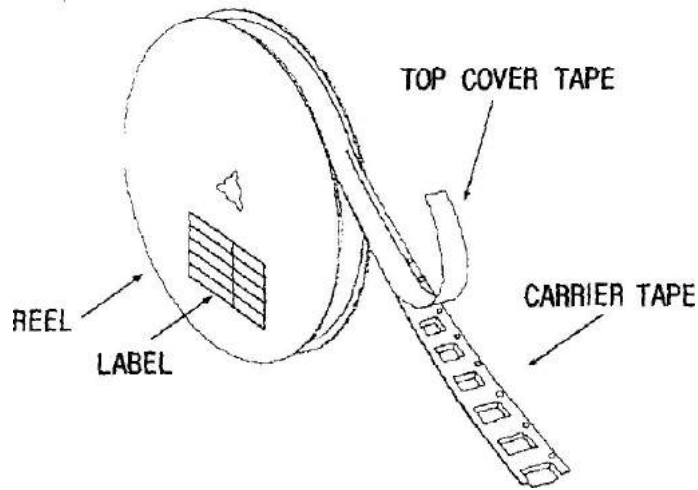


6.2 Reeling Quantity

1000 pcs/reel 7''
 3000 pcs/reel 13''

6.3 Taping Structure

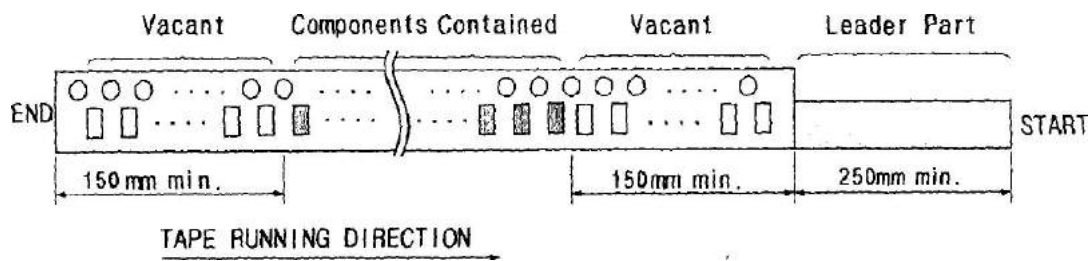
(1) The tape shall be wound around the reel in the direction shown below.



(2) Label

Device Name	
User Product Name	
Quantity	
Lot No.	

(3) Leader part and vacant position specifications.



7. TAPE SPECIFICATIONS

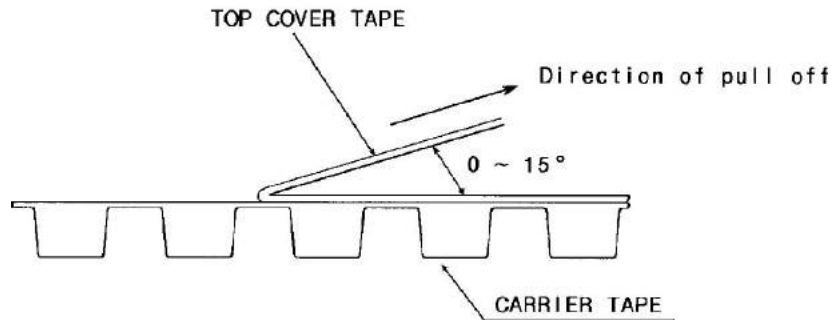
7.1 Tensile Strength of Carrier Tape: 4.4N/mm width

7.2 Top Cover Tape Adhesion (See the below figure)

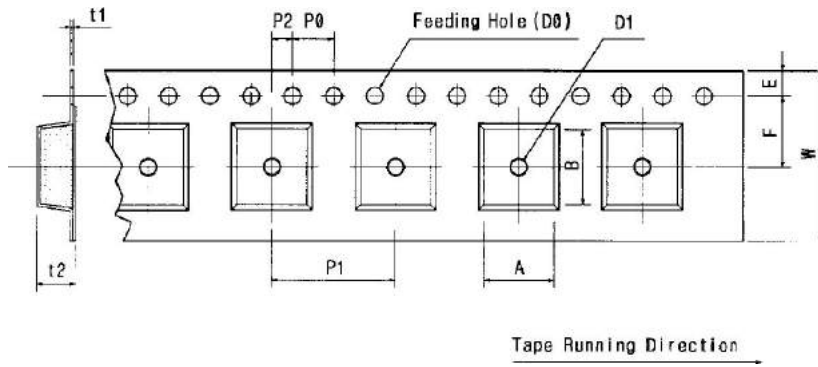
- (1) pull off angle: 0~15°
- (2) speed: 300mm/min.
- (3) force: 20~70g



YSF915S303



[Figure 1] Carrier Tape Dimensions



[Unit:mm]

W	F	E	P0	P1	P2	D0	D1	t1	t2	A	B
12.0	5.5	1.75	4.0	4.0	2.0	Ø1.5	Ø1.0	0.3	1.25	3.3±	3.3
±	±	±	±	±	±0.05	±0.1	±	±	±	0.1	±
0.3	0.05	0.1	0.1	0.1			0.25	0.05	0.1		0.1

[Figure 2]